

# Product data sheet

## Characteristics

# 1S51F

## TRANSFORMER DRY 1PH 1KVA

### 600V-120/240V



Product availability: Stock - Normally stocked in distribution facility

Price\*: 634.00 USD

### Main

Product or Component Type	Dry Sealed Transformer
Primary voltage	600 V 120/240 V
Number of tap-offs	0

### Complementary

Box number	7A
Phase	1 phase
Rated power in VA	1 KVA
Temperature rise	115 °C
Maximum Height	8.13 In (206.50 mm)
Maximum Width	6.94 In (176.28 mm)
Maximum Depth	5.31 In (134.87 mm)
Enclosure mounting	Wall mounted
Enclosure Material	Painted sheet steel

### Environment

NEMA Degree of Protection	NEMA 3R
Insulation temperature	356 °F (180 °C)
Product Certifications	CULus UL Listed CSA

### Ordering and shipping details

Category	16277 - RESIN LVGP XFMR
Discount Schedule	PE2
GTIN	00785901020370
Nbr. of units in pkg.	1
Package weight(Lbs)	1 Lb(US) (0.45 kg)
Returnability	No
Country of origin	US

### Packing Units

Package 1 Height	9.00 In (22.860 cm)
Package 1 width	10.30 In (26.162 cm)
Package 1 Length	11.10 In (28.194 cm)

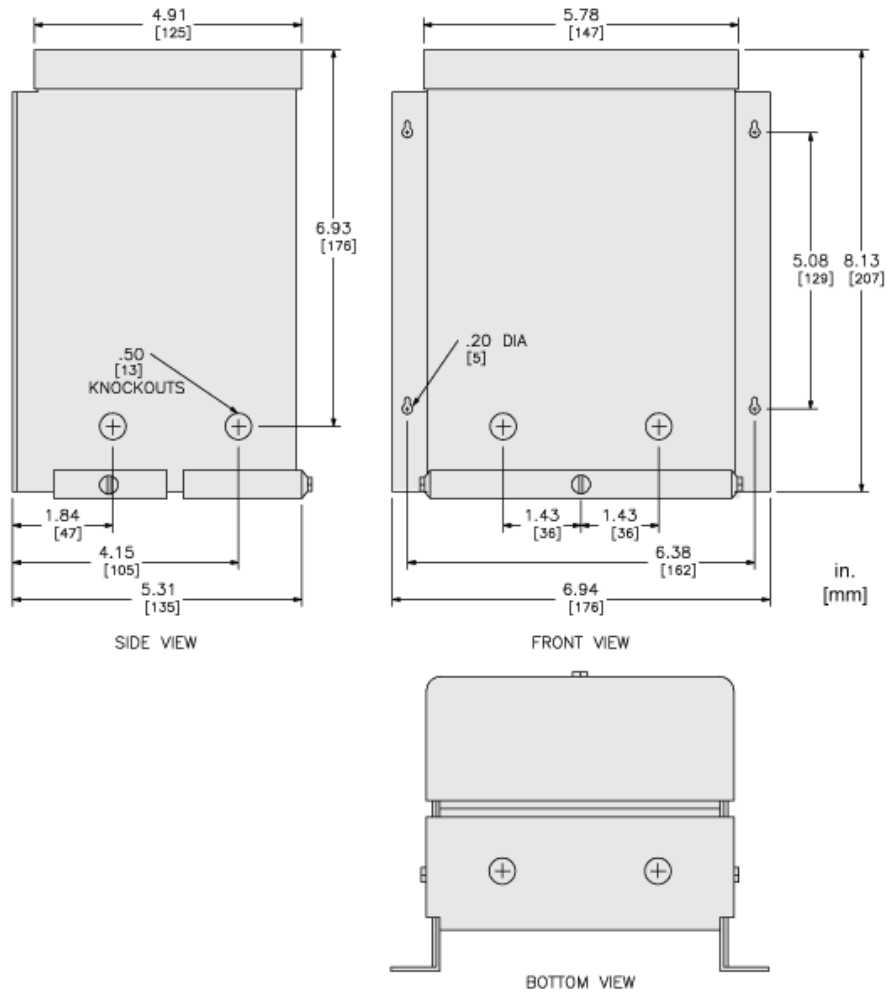
## Offer Sustainability

Sustainable offer status	Green Premium product
California proposition 65	WARNING: This product can expose you to chemicals including: Phenyl glycidyl ether, which is known to the State of California to cause cancer and birth defects or other reproductive harm. For more information go to <a href="http://www.P65Warnings.ca.gov">www.P65Warnings.ca.gov</a>
REACH Regulation	<a href="#">REACH Declaration</a>
REACH free of SVHC	Yes
EU RoHS Directive	Compliant <a href="#">EU RoHS Declaration</a>
Toxic heavy metal free	Yes
Mercury free	Yes
RoHS exemption information	<a href="#">Yes</a>
China RoHS Regulation	<a href="#">China RoHS Declaration</a>
Environmental Disclosure	<a href="#">Product Environmental Profile</a>
PVC free	Yes

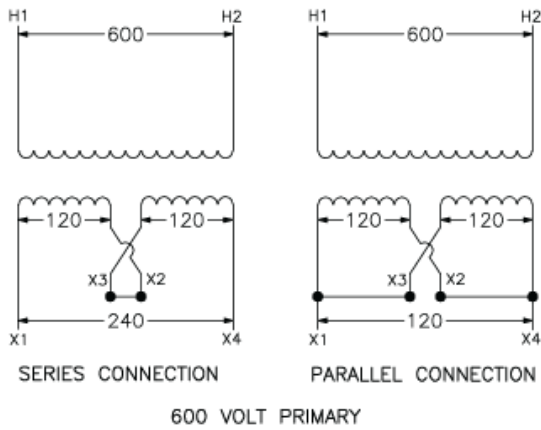
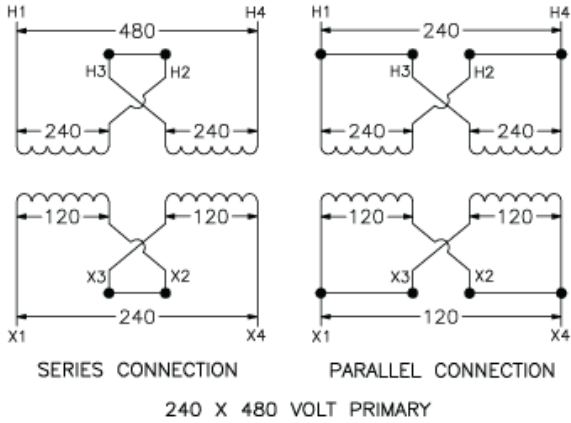
## Contractual warranty

Warranty	18 months
----------	-----------

Approximate Dimensions



Connections and Wiring Diagrams



Product Life Status : **Commercialised**